

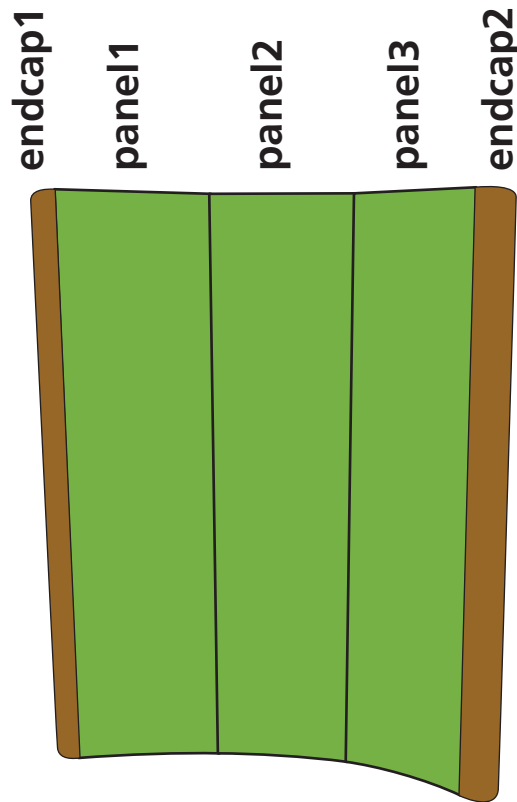
# 3 x 3 Curved Wall Display Specifications

## ■ Artwork MUST be set out in 5 Individual Templates

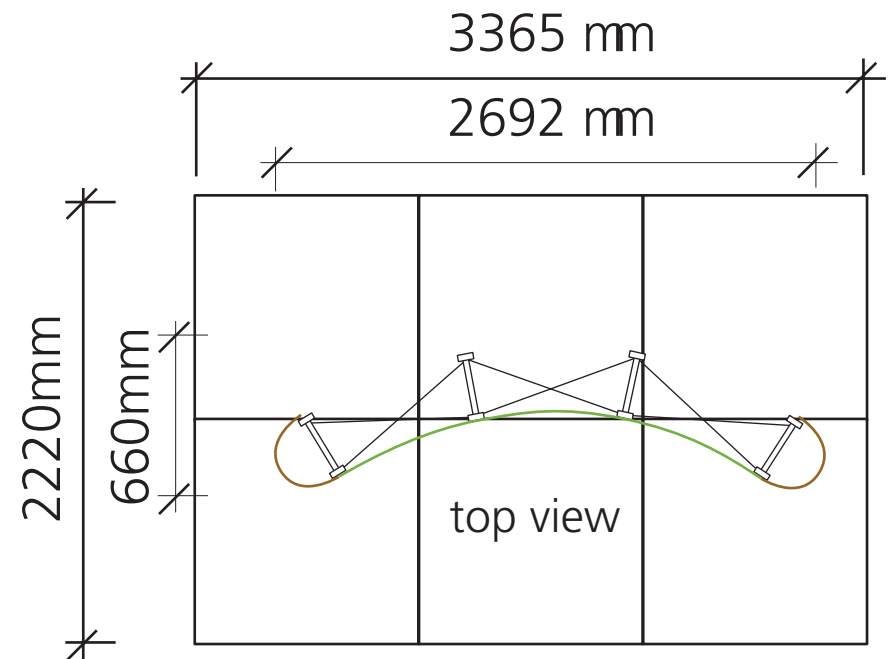
Graphic Size : 2220mm (H) X 673mm (W)

Print Size: 2232mm (H) X 685mm (W)

Important Information: Place magnetic bars from bottom to top when setting up and remove top from bottom when dismantling.



Due to endcaps being curved to the back of the stand, keep endcaps clear of text as it will be obscured when set up.



# 3 x 3 Curved Wall Display

